



# Incubating Rocking & Waving Shakers



## *Save Incubator Space with Unique Benchtop Incubating Rocking and Waving Shakers*

OHAUS Incubating Rocking and Waving Shakers are innovatively designed to incubate samples providing accurate and repeatable results. Rocking shakers provide a controlled see-saw like motion, while waving shakers offer a smooth, low-foaming three-dimensional wave motion. All models feature independent displays with intuitive touchpad controls. Both models include safety features that protect both the user and samples.

### *Standard Features:*

- Electronic control allows simple tilt angle, speed and temperature adjustments while the unit is still running to achieve optimal mixing.
- Achieve reproducible results you can trust. Precisely adjust the tilt angle in 1° increments, vary the speed by 1 rpm and set temperature in 1°C increments with intuitive touchpad controls.
- Innovative speed ramping feature slowly increases speed to desired setpoint to avoid splashing. Smooth rocking or waving motion is maintained with unique, state-of-the-art motor and electronics.

# Incubating Rocking & Waving Shakers

Model	ISRK04HDG	ISWV02HDG
Shaker Type	Rocking Shaker	Waving Shaker
Control	Digital	
Motion / Tilt Angle	Rocking, 0 – 15°	Waving, 0 – 20°
Speed Range	1 – 50 rpm	1 – 30 rpm
Speed Accuracy	± 1 rpm	
Temperature Range	Ambient +5 °C – 65 °C	
Temperature Uniformity	± 0.5 °C at 37 °C	
Timer	1 second – 160 hours	
Capacity	4.5 kg	2.3 kg
Working Environment	5 °C – 40 °C, 80% Relative Humidity, non-condensing	
Drive System	Stepper Motor	
Included Tray (L × W)	254 mm × 191 mm	235 mm × 184 mm
Tray Construction	Aluminum	
Overall Dimensions (L × W × H)	419 × 257 × 274 mm	
Inner Dimensions (L × W × H)	273 mm × 197 mm × 970 mm	273 mm × 197 mm × 860 mm
Net Weight	5.7 kg	6.2 kg
Power	230V, 1.87A, 50/60Hz	
Power Consumption	420 W	

## Other Standard Features and Equipment

Spill-resistant design, caution hot indicator, detachable 3-wire cord and plug (included)

## Compliance

- **Product Safety:** EN 61010-1, EN 61010-2-010, EN 61010-2-051
- **Electromagnetic Compatibility:** EN 61326-1 Class A, Industrial Environments
- **Compliance Marks:** CE; RCM; TÜV SÜD

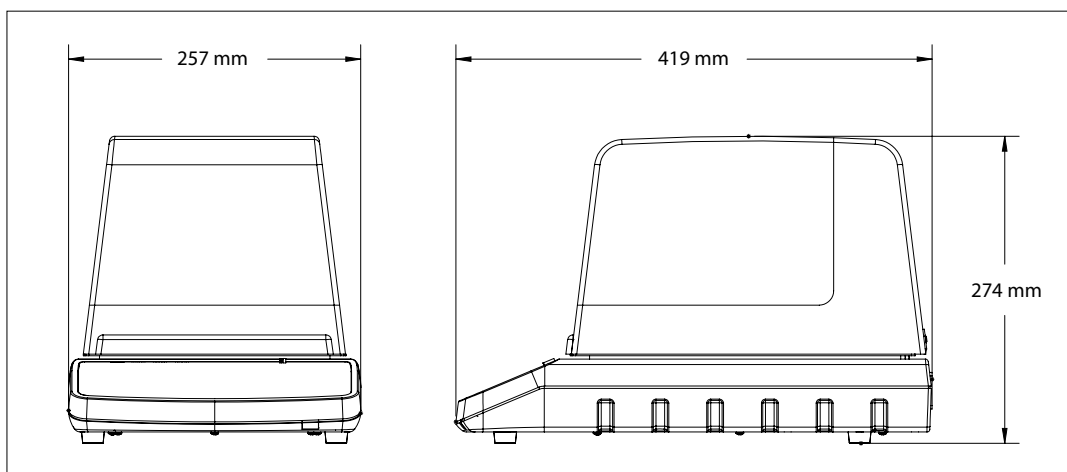
## Applications

Hybridizations, cell cultures, blotting techniques, staining and destaining gels

## Accessories

Incubating Rocking and Waving Shaker Accessories			
Item No.	Description	ISRK04HDG	ISWV02HDG
30400141	Dimpled Mat, Incubating Rocker ISRK04HDG	•	
30400143	Dimpled Mat, Incubating Waver ISWV02HDG		•

## Dimensions



### OHAUS Europe GmbH

Heuwinkelstrasse 3,  
8606 Nänikon,  
Switzerland

e-mail: [ssc@ohaus.com](mailto:ssc@ohaus.com)  
Tel: 0041 22 567 53 19  
e-mail: [tsc@ohaus.com](mailto:tsc@ohaus.com)  
Tel: 0041 22 567 53 20

[www.ohaus.com](http://www.ohaus.com)

The management system  
governing the manufacture  
of this product is  
ISO 9001:2015 certified.

CH16E191

