



## ***Affordable Digital Hotplate Stirrers Designed for Safety, Powerful Stirring and Fast Heating***

OHAUS Guardian™ 3000 Hotplate Stirrers are designed for economical heating and stirring in all laboratory settings. The bright LCD display includes easy-to-read temperature and speed settings, intuitive icons and a prominent hot top indicator that lights up when the heater is above 40°C. Select from three plate sizes to suit your application. All models can be used with the optional temperature probe for precise temperature control of the sample.

### ***Unique Features:***

- Industry leading safety at affordable prices. Guardian™ 3000 units offer safety, controlled heating and powerful stirring for general laboratory use - all at a competitive price point.
- SafetyHeat™ protects the lab. An industry-leading early detection system uses two independent safety controls to monitor the electronics and stop heating before an overtemperature condition occurs.
- Designed to last - the rugged metal housing has a spill-resistant design for long life in the lab under harsh conditions. The smooth, chemical-resistant ceramic top makes for easy clean ups.

# GUARDIAN™ 3000 Hotplate Stirrers

## Specifications

| Model                   | e-G31HS04C  | e-G31HS07C            | e-G31HSRDS                     |
|-------------------------|---|-----------------------|--------------------------------|
| Function                | Heating and Stirring  | Heating and Stirring  | Heating and Stirring           |
| Top Plate Size          | 10.2 x 10.2 cm  | 17.8 x 17.8 cm        | 13.5 cm diameter               |
| Speed Range             | 80 rpm to 1600 rpm  |                       |                                |
| Speed Stability*        | +/-2%   |                       |                                |
| Temperature Range       | Ambient + 5°C – 500°C   |                       | Ambient + 5°C – 380°C          |
| Temperature Stability*  | +/-3% Plate, below 100°C +/-2°C and +/-2% Probe, below 100°C +/-2°C |                       |                                |
| Temperature Calibration | 1 Plate and 1 Probe   |                       |                                |
| Control                 | Digital   |                       |                                |
| Display                 | Backlit LCD for Temperature and Speed                               |                       |                                |
| Capacity                | 15 l  |                       |                                |
| Top Plate Material      | Ceramic   |                       | Ceramic Coated Stainless Steel |
| Dimensions (H x L x W)  | 11.0 x 26.4 x 16.3 cm   | 11.2 x 31.8 x 22.3 cm | 10.1 x 26.4 x 16.3 cm          |
| Net Weight              | 2.5 kg  | 3.9 kg                | 2.5 kg                         |
| Power                   | 220V-240V ~4A 50/60Hz   | 220V-240V ~7A 50/60Hz | 220V-240V ~4A 50/60Hz          |
| Power Consumption       | 550W (230V)   | 1050W (230V)          | 550W (230V)                    |
| Working Environment     | 5°C – 40°C, 80% RH, non-condensing                                  |                       |                                |

\* Conditions permitting. Variations in temperature and speed measurement processes, vessel, ambient and sample will impact actual performance. To improve temperature accuracy of the system use the Single Point Calibration feature.

| GUARDIAN 3000     |   |
|-------------------|---|
| Application Modes | Boiling Liquids, Water/Oil Bath Preparation, Sample and Solution Preparation, Dissolving Buffers and Reagents, Preparing Media, Concentrating Samples   |
| Display           | Backlit LCD Display for temperature and speed, green indicator lights when unit is heating and stirring, prominent hot top indicator light, probe in use icon, Single Point Calibration icon                  |
| Operation         | Stirring from 80 to 1600 rpm, temperature range of ambient +5°C to 500°C (ceramic top) or 380°C (ceramic coated stainless steel top), power cord (included), stirring models include one PTFE coated stir bar |
| Construction      | Durable metal housing, PET front panel, control knobs, ON/OFF switch for heater disconnect, built-in support rod holder, easy to clean ceramic or ceramic coated stainless steel tops                         |
| Design Features   | Hot top indicator light to protect user, green indicator lights illuminate when unit is heating and stirring, temperature probe connector for use with optional temperature probe                             |

# GUARDIAN™ 3000 Hotplate Stirrers

## Accessories

| Item No.   | Description                           | e-G31HS04C | e-G31HS07C | e-G31HSRDS |
|------------|---------------------------------------|------------|------------|------------|
| 30500570   | Base Plate 135 mm                     |            |            | ●          |
| 30500571   | Handles for Base Plate                |            |            | ●          |
| 30500572   | Sectional Block 12 mm Vials           |            |            | ●          |
| 30500573   | Sectional Block 15 mm vials           |            |            | ●          |
| 30500574   | Sectional Block 17 mm Vials           |            |            | ●          |
| 30500575   | Sectional Block 21 mm Vials           |            |            | ●          |
| 30500576   | Sectional Block 28 mm Vials           |            |            | ●          |
| 30500577   | Sectional Block 12 mm Test Tubes      |            |            | ●          |
| 30500578   | Sectional Block 16 mm Test Tubes      |            |            | ●          |
| 30500579   | Sectional Block 20 mm Test Tubes      |            |            | ●          |
| 30500580   | Sectional Block 25 mm Test Tubes      |            |            | ●          |
| 30500581   | Uni Block 12 mm Vials                 |            |            | ●          |
| 30500582   | Uni Block 15 mm vials                 |            |            | ●          |
| 30500583   | Uni Block 17 mm Vials                 |            |            | ●          |
| 30500584   | Uni Block 21 mm Vials                 |            |            | ●          |
| 30500585   | Uni Block 28 mm Vials                 |            |            | ●          |
| 30500586   | Uni Block 12 mm Test Tubes            |            |            | ●          |
| 30500587   | Uni Block 16 mm Test Tubes            |            |            | ●          |
| 30500588   | Uni Block 20 mm Test Tubes            |            |            | ●          |
| 30500589   | Uni Block 25 mm Test Tubes            |            |            | ●          |
| 30392233** | Clamp, Specialty, Rod, CLS-RODS       |            |            | ●          |
| 30500590   | Temperature Probe 20 cm S/S           | ●          | ●          | ●          |
| 30500591   | Temperature Probe 20 cm PTFE          | ●          | ●          | ●          |
| 30500592   | Temperature Probe 25 cm S/S           | ●          | ●          | ●          |
| 30500593   | Temperature Probe 25 cm PTFE          | ●          | ●          | ●          |
| 30500597   | Vessel Clamp                          | ●          | ●          | ●          |
| 30500598   | Stir Bar Retriever                    | ●          | ●          | ●          |
| 30392314   | Clamp, Specialty, Column, CLS-COLMNSS | ●          | ●          | ●          |
| 30392315   | Clamp, Specialty, Column, CLS-COLMNSM | ●          | ●          | ●          |
| 30392316   | Clamp, Specialty, Column, CLS-COLMNSL | ●          | ●          | ●          |
| 30392317   | Clamp, Specialty, Column, CLS-COLMNSX | ●          | ●          | ●          |
| 30392318   | Clamp, Specialty, Nester, CLS-NESTXS  | ●          | ●          | ●          |
| 30400147   | Spinbar 2.5 cm PTFE                   | ●          | ●          | ●          |
| 30400148   | Spinbar 3.8 cm PTFE                   | ●          | ●          | ●          |
| 30400149   | Spinbar 7 cm PTFE                     | ●          | ●          | ●          |
| 30400150   | Spinbar 10 cm with Pivot Ring PTFE    | ●          | ●          | ●          |
| 30692826   | Holder Kit Thermometer e-G31          | ●          | ●          | ●          |
| 30726783*  | Spinbar 3.8 cm with Pivot Ring PTFE   | ●          | ●          | ●          |

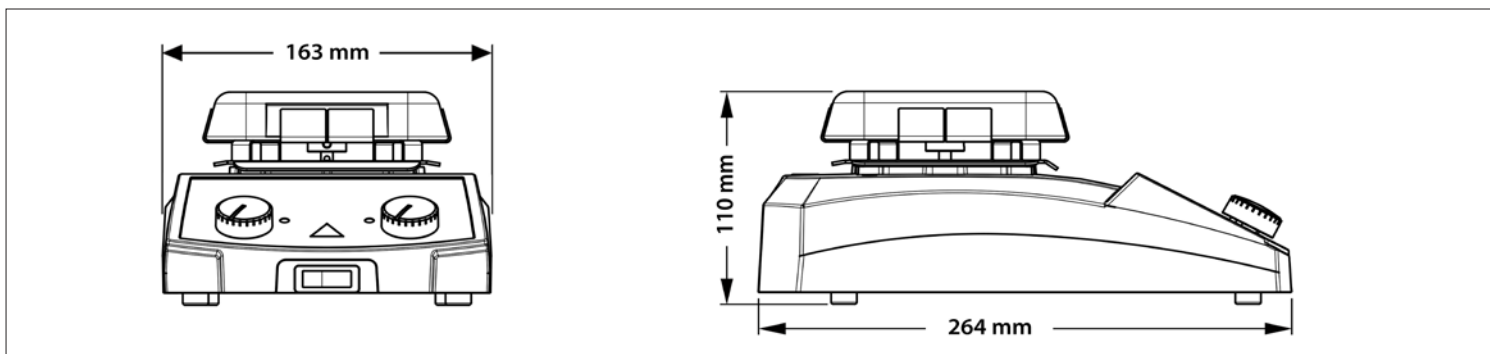
\* pack of 5 spinbars

\*\* 30392233 is for use with the 30500570 Base Plate only

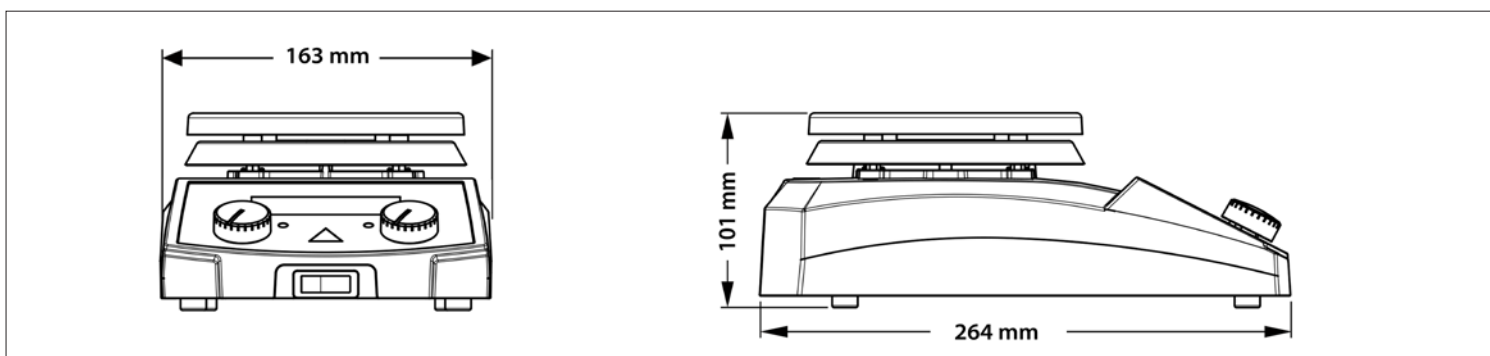
# GUARDIAN™ 3000 Hotplate Stirrers

## Outline Dimensions

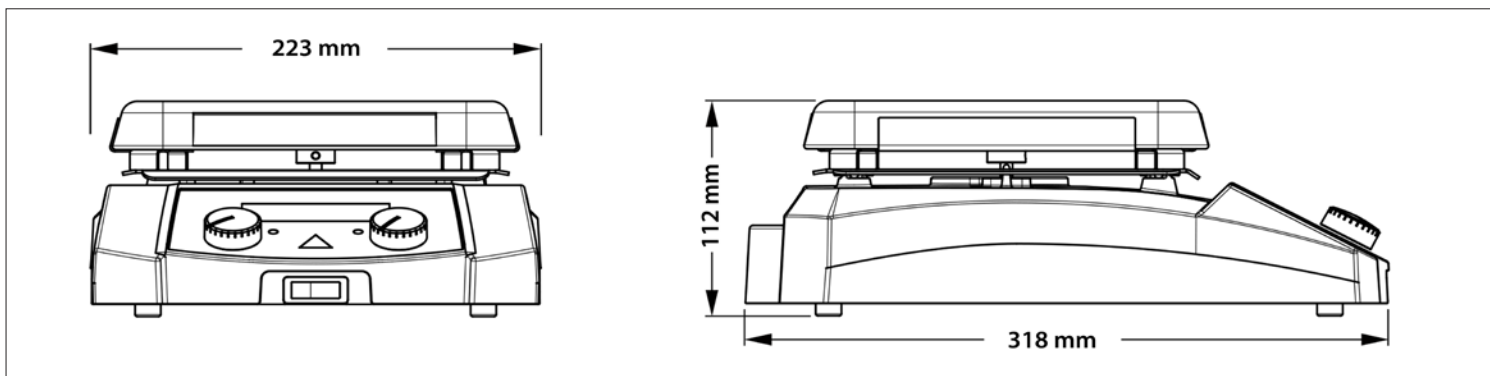
### e-G31HS04C



### e-G31HSRDS



### e-G31HS07C



## Other Features and Equipment

Green indicator lights when unit is heating and stirring with simple control knobs for easy temperature and speed adjustments, one PTFE coated stir bar, ON/OFF switch for heater disconnect, built-in support rod holder.

## Compliance

- **Product Safety:** IEC/EN 61010-1; IEC/EN 61010-2-010; IEC/EN 61010-2-051
- **Electromagnetic Compatibility:** IEC/EN 61326-1 Class A, Basic environments
- **Compliance Marks:** CE; UKCA; TÜV SÜD; WEEE
- **Other:** IP21

OHAUS Europe GmbH

Heuwinkelstrasse 3,  
8606 Nänikon,  
Switzerland

e-mail: [ssc@ohaus.com](mailto:ssc@ohaus.com)  
Tel: 0041 22 567 53 19  
e-mail: [tsc@ohaus.com](mailto:tsc@ohaus.com)  
Tel: 0041 22 567 53 20

[www.ohaus.com](http://www.ohaus.com)

The management system governing the manufacture of this product is ISO 9001:2015 certified.

