



Painted carbon steel platform shown with i-DT33P indicator



Stainless steel platform shown with i-DT33XW indicator

Floor Scales for Basic Industrial Applications

Defender 3000 Series Floor Scales are the value solution for dry or washdown weighing needs in industrial and commercial applications. Their high-quality material and construction are designed to minimize distortion under heavy loads, and ensure years of dependable performance. Available with corresponding ramps and mounting accessories, Defender 3000 floor scales offer a unique combination of value, quality and dependability that you can rely on.

Unique Features:

- Painted carbon steel, raised treaded surface with four IP67 alloy steel load cells or 304 stainless steel, sand-blasted flat surface with four IP67 stainless steel load cells, fixed top plate (5 mm thick), both versions with structural bracing that ensures a stiff and solid construction.
- Defender 3000 comes in six models ranging from platform sizes of 1 x 1 m, 1,25 x 1,25 m and 1,5 x 1,5 m, and capacities from 600 kg to 3 000 kg, allowing greater flexibility for your weighing needs.
- Results are clearly shown on the large, bright backlit LCD display of the i-DT33 indicator. In Checkweighing mode, display changes color (yellow/green/red) to alert users when within the target weight range.

DEFENDER™ 3000 Floor Scales

Specifications

Scale Models (Powder coated)	i-DF33P600B1R	i-DF33P1500B1R	i-DF33P1500B1L	i-DF33P3000B1L	i-DF33P1500B1X	i-DF33P3000B1X
Certified Models (Powder coated)	i-DF33P600B1R-M	i-DF33P1500B1R-M	i-DF33P1500B1L-M	i-DF33P3000B1L-M	i-DF33P1500B1X-M	i-DF33P3000B1X-M
Capacity x Readability	600 kg x 0,2 kg	1 500 kg x 0,5 kg		3 000 kg x 1 kg	1 500 kg x 0,5 kg	3 000 kg x 1 kg
Platform Size (A x B x min H)	1 m x 1 m x 0,09 m		1,25 m x 1,25 m x 0,09 m		1,5 m x 1,5 m x 0,09 m	
Platform Material	Painted carbon steel, raised treaded surface, fixed top plate 5mm thick					
Indicator	ABS plastic indicator (i-DT33P)					
Load Cell Model	4 x IP67 alloy steel, shear beam, OIML C3					
Load Cell Capacity Emax	500 kg	1 000 kg		1 500 kg	1 000 kg	1 500 kg
Load Cell Output Impedance	350 ohm ± 3,5 ohm					
Load Cell Excitation Voltage	5V ~ 15V, DC/AC					
Approx. Net Weight	85 kg		125 kg		172 kg	
Weighing Units	kg, lb, t (kg, t only for M models)					
Application Modes	Weighing, Parts Counting, Checkweighing and Totalization					
Displays	6-digit, 7-segment LCD display with multi-color backlight, 45 mm high digits					
Interface	RS232 included, Optional USB, Ethernet					
Power	100-240 VAC / 50/60 Hz Universal Power Supply or C cell battery (Not included); Optional rechargeable battery					
Maximum Safe Static Load:						
with Central Load	1 500 kg	2 500 kg		3 800 kg	2 500 kg	3 800 kg
with Side Load	1 000 kg	1 500 kg		1 800 kg	1 500 kg	1 800 kg
with Corner Load	500 kg	1 000 kg		1 200 kg	1 000 kg	1 200 kg
Junction Box	IP65, 304 stainless steel, with 5m long cable					
Feet	4 x self-swiveling ball-in-cup design with rubber bottom, adjustable height					
Accessories	Ramps, Mounting Foot Plates, Column					

Scale Models (Stainless steel)	i-DF33XW600C1R	i-DF33XW1500C1R	i-DF33XW1500C1L	i-DF33XW3000C1L	i-DF33XW1500C1X	i-DF33XW3000C1X
Certified Models (Stainless steel)	i-DF33XW600C1R-M	i-DF33XW1500C1R-M	i-DF33XW1500C1L-M	i-DF33XW3000C1L-M	i-DF33XW1500C1X-M	i-DF33XW3000C1X-M
Capacity x Readability	600 kg x 0,2 kg	1 500 kg x 0,5 kg		3 000 kg x 1 kg	1 500 kg x 0,5 kg	3 000 kg x 1 kg
Platform Size (A x B x min H)	1 m x 1 m x 0,09 m		1,25 m x 1,25 m x 0,09 m		1,5 m x 1,5 m x 0,09 m	
Platform Material	Stainless steel, sand-blasted flat surface, fixed top plate 5mm thick					
Indicator	IP66 stainless steel indicator (i-DT33XW)					
Load Cell Model	4 x IP67 stainless steel, shear beam, OIML C3					
Load Cell Capacity Emax	500 kg	1 000 kg		2 000 kg	1 000 kg	2 000 kg
Load Cell Output Impedance	350 ohm ± 3,5 ohm					
Load Cell Excitation Voltage	5V ~ 15V, DC/AC					
Approx. Net Weight	71 kg		104 kg		137 kg	
Weighing Units	kg, lb, t (kg, t only for M models)					
Application Modes	Weighing, Parts Counting, Checkweighing and Totalization					
Displays	6-digit, 7-segment LCD display with multi-color backlight, 45 mm high digits					
Interface	RS232 included, Optional USB, Ethernet					
Power	100-240 VAC / 50/60 Hz Universal Power Supply, hardwired or standard rechargeable battery					
Maximum Safe Static Load:						
with Central Load	1 500 kg	2 500 kg		3 800 kg	2 500 kg	3 800 kg
with Side Load	1 000 kg	1 500 kg		1 800 kg	1 500 kg	1 800 kg
with Corner Load	500 kg	1 000 kg		1 200 kg	1 000 kg	1 200 kg
Junction Box	IP65, 304 stainless steel, with 5 m long cable					
Feet	4 x self-swiveling ball-in-cup design with rubber bottom, adjustable height					
Accessories	Ramps, Mounting Foot Plates, Column					



DEFENDER™ 3000 Floor Scales

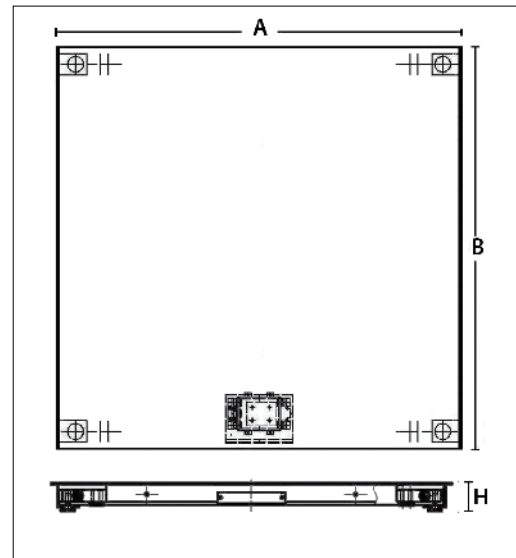
Other Standard Features and Equipment

Two carbon steel eye bolts, side access IP65 stainless steel junction box, four load cell mounted feet with self-swiveling ball-in-cup design, painted and stainless steel floor stands (available as accessories)

Accessories

Ramp, 1 000mm, Painted, DF-B1	72198338
Ramp, 1 250mm, Painted, DF-B1	72198339
Ramp, 1 500mm, Painted, DF-B1	72198340
Ramp, 1 000mm, SST, DF-C1	72198341
Ramp, 1 250mm, SST, DF-C1	72198342
Ramp, 1 500mm, SST, DF-C1	72198343
Foot plate kit, Painted, DF-B1	72198344
Foot plate kit, SST, DF-C1	72198345
Ethernet Kit i-DT33	30429666
USB Device Kit i-DT33	30699120
Dust Cover (5) i-DT33	30699121
Rechargeable Battery Kit i-DT33P	30699122
SF40A Printer	30064202
Cable RS232 i-DT33P	80500525
Cable RS232 i-DT33XW	80500552
Floor Scale Column Kit Painted	30531244
Floor Scale Column Kit SST.....	30539553

Outline Dimensions (Platform Size)



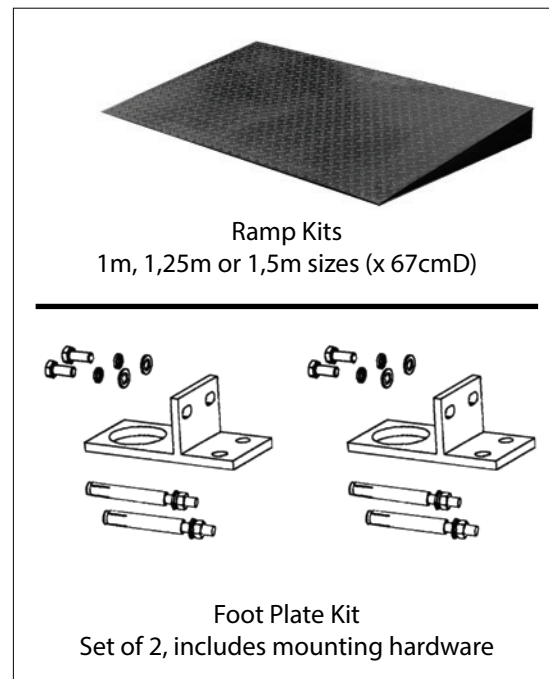
Compliance

- **Metrology:** EN45501 (Scale: T12209; Indicator: TC12208; Load Cell: OIML R60/2000-NL1-12.12 / TC8012, OIML R60/2000-NL1-11.28 / TC8010, OIML R60/2000-CN1-06.05 / D09-05.19)
- **Product Safety:** IEC/EN 61010-1; CAN/CSA C22.2 61010-1; UL61010-1
- **Electromagnetic Compatibility:** IEC/EN 61326-1 Class B, basic environments; FCC Part 15 Class A; Canada ICES-003 Class A
- **Ingress Protection:** IEC 60529 – IP66 (for i-DT33XW indicator), IEC 60529 – IP67 (for Load Cell), IEC 60529 – IP65 (for Junction Box)
- **Compliance Marks:** CE, UKCA
- **Other:** WEEE, RoHS

Structural Features



Accessories (Painted Steel & Stainless Steel)



80776761_A 20220608 © Copyright OHAUS Corporation

OHAUS Europe GmbH

Heuwinkelstrasse 3,
8606 Nänikon,
Switzerland

e-mail: ssc@ohaus.com
Tel: 0041 22 567 53 19
e-mail: tsc@ohaus.com
Tel: 0041 22 567 53 20

www.ohaus.com

The management system governing the manufacture of this product is ISO 9001:2015 certified.

