

Product Information



Elmasonic Easy R

Ultrasonic cleaning devices



Order numbers

Elmasonic Easy	50 R	350 R
Order number 220 - 240 V~	1120119	1120120

Scope of delivery

- Ultrasonic unit
- Cover or, turned over, usable as a drip tray for a basket (50 R)
- Stainless steel lid (350 R)
- Hose connector for drain (350 R)
- Power cable with rubber connector (2 m length)
- Manual

Technical specifications serve as orientation values and are subject to tolerances due to production and manufacturing. Proper operation can only be guaranteed when using original Elma accessories.

Elmasonic Easy R

Product features and functions

▪ 37 kHz ultrasonic frequency (control range -2,5 / +5,5 kHz)
▪ 4 ultrasonic modes for demand-oriented sound field distribution and sample preparation in the ultrasonic bath
▪ general cleaning sweep mode: General cleaning tasks. Ensures a more homogeneous distribution of cavitation (mechanical cleaning action) in the bath.
▪ sieve cleaning mode: Increased ultrasonic intensity for the most stubborn soiling, saves time. For optimal cleaning of test sieves.
▪ sample preparation mode: Sweep and pulse alternately for homogeneous and strong cleaning. For sample preparation such as mixing, dissolving, dispersing, cleaning, etc.
▪ degas mode: more effective, faster and more reliable. Fast degassing of HPLC solvents
▪ Electronic selector switches on wipeable membrane keypad and LED display of all operating states
▪ Pre-selection of cleaning time: cleaning time adjustable between 1 minute and 30 minutes or continuous operation adjustable (ultrasonic continuous operation max. 6 hours)
▪ Acoustic and optical signal at the end of cleaning
▪ Safety switch-off with wake-up function
▪ after 8 hours of inactivity
▪ in case of a brief interruption of the power supply
▪ Automatic shutdown of ultrasonic operation at a bath temperature > 90 °C
▪ Splash-proof housing and cleaning tray made of stainless steel
▪ Stopcock for emptying the cleaning tank via the drain at the rear of the unit (350 R)
▪ Different fill level possible for different container sizes. Saving of water and medium (50 R)
▪ 2-year warranty from the initial operation, but no longer than 3 years from the production date

Elmasonic Easy R

Technical Data - Mechanics

Elmasonic Easy	50 R	350 R
Total capacity V (l)	6,0	69,0
Recom. operating capacity V _a (l)	3,0 - 5,0	59,0
Unit ext. dimensions W / D / H (mm)	345 / 295 / 345	675 / 795 / 505
Tank int. dimensions Dia / H ₁ (mm)	Ø 240 / 140	Ø 595 / 245
Weight incl. cover (kg)	5,0	21,0
Drain hose - ID (mm)	--	12,0
Basket int. dimensions W ₂ / H ₂ (mm)	Ø 220	Ø 545
Total basket loading (kg)	4,0	10,0

Technical Data - Electronics and noise levels

Elmasonic Easy	50 R	350 R
Mains voltage (V~)	220 - 240	220 - 240
Mains frequency (Hz)	50 / 60	50
Power consumption total (W)	150	650
Ultrasonic power effective ±10% (W)	150	650
Ultrasonic peak power max.* (W)	600	2600
Protection class	IP 20	
Sound pressure level (LpAU)**	< 80 dB	

* The signal form of the wave results in a factor 4 for the ultrasonic peak max., depending on the modulation of the wave.

** Measured sound pressure level with basket and cover at 1 m distance.

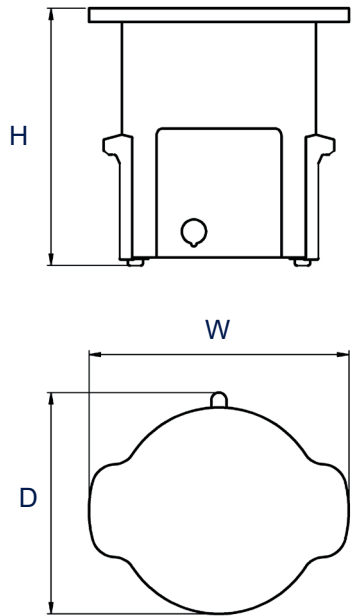
Technical specifications serve as orientation values and are subject to tolerances due to production and manufacturing. Proper operation can only be guaranteed when using original Elma accessories.

Elmasonic Easy R

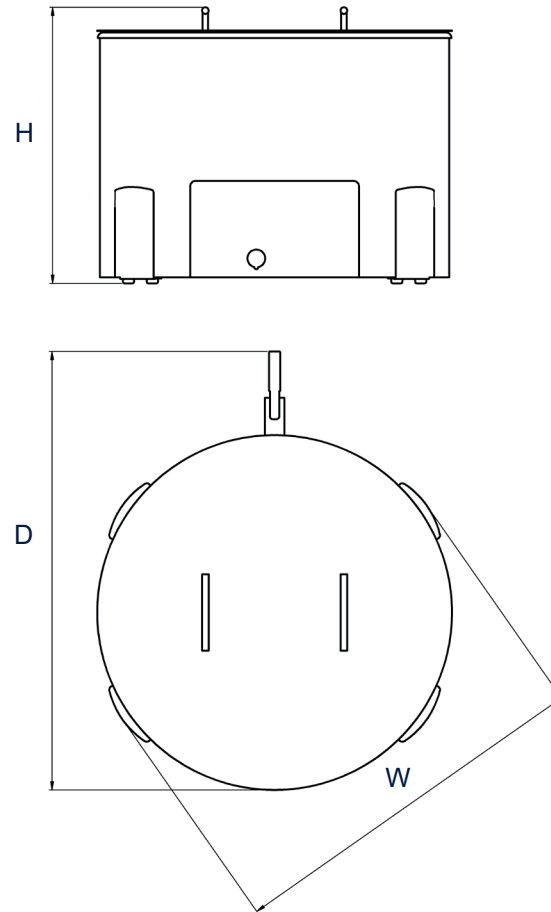
Dimension definition

Unit outer dimensions

Unit size 50R



Unit size 350R

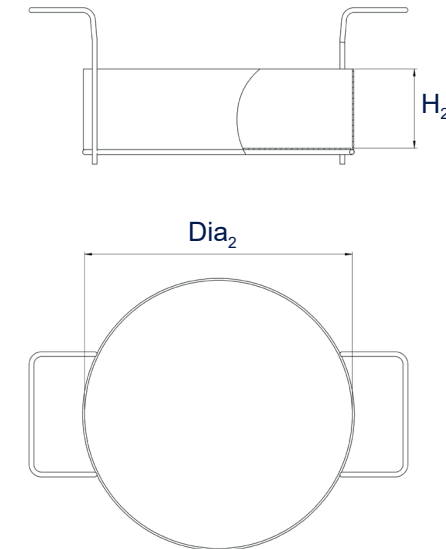


Tank internal dimensions

V_a : recommended operating capacity of the cleaning tank
(The actual operating capacity depends on the load.)



Basket internal dimensions



The drawings are meant as a visualization aid and are not true to scale.

Technical specifications serve as orientation values and are subject to tolerances due to production and manufacturing. Proper operation can only be guaranteed when using original Elma accessories.