

## Elmasonic Accessories - Practicals

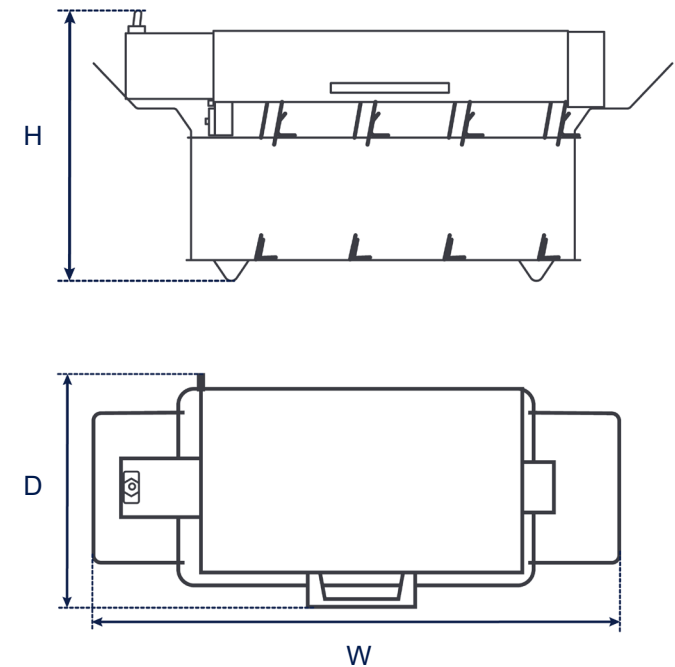
### Sieve cleaning module SRH 4 / 200

- made of stainless steel and with integrated rotating unit
- up to 4 test sieves [Ø up to 200 / 203 mm (8")] can be cleaned simultaneously in the ultrasonic bath with the SRH 4 / 200. The inclined position of the sieves in the SRH 4 / 200 ensures a better cleaning and rinsing effect
- for gentle cleaning of the test sieves without changing the mesh size or fabric tension. This ensures that the dimensional accuracy and calibration of the sieves is maintained 100 %



	300	450	900
Order number 230V	1042706		
Dimensions W / D / H	675 / 295 / 330		
Weight (kg)	6,8		
Suitable for	300	450	900
• Elmasonic Easy	1 x		
• Elmasonic Select	1 x	1 x	2 x
• Elmasonic P	1 x		

### Dimension definition



The drawings are meant as a visualization aid and are not true to scale.

Technical specifications serve as orientation values and are subject to tolerances due to production and manufacturing. Proper operation can only be guaranteed when using original Elma devices.

## Elmasonic Accessories - Practicals

Sieve cleaning module SRH 4 / 200

### Example of application



The parts shown are for illustration purposes only and are not included in the scope of delivery.

Technical specifications serve as orientation values and are subject to tolerances due to production and manufacturing. Proper operation can only be guaranteed when using original Elma devices.