



## High Performance Moisture Analysis with Advanced Features for the Most Demanding Application

The new MB92 features a redesigned housing, innovative carbon fiber heating and upgraded load cell for enhanced durability and performance. Ideal for users demanding a higher level of performance on both the laboratory and production floor, offering greater data security and integrity with password protection.

### Unique Features:

- Robust and durable with the new carbon heating technology and an upgraded full color capacitive touchscreen, MB92 is the perfect choice for users demanding a high level of performance and precision.
- Multiple drying profiles, shut off criteria and methods offer great flexibility in method creation. Enhanced password protection ensures greater data security and integrity.
- A full glass panel and tool-free heating chamber assembly makes cleaning and maintenance easy. Perfect for both the laboratory and the production floor.



## Do more with OHAUS

Check out the OHAUS laboratory equipment portfolio!

[www.ohaus.com](http://www.ohaus.com)

# MB92 Moisture Analyzers

## Specifications

| Model                       | MB92                                                                                              |
|-----------------------------|---------------------------------------------------------------------------------------------------|
| Readability                 | 0,01 % / 0,001 g                                                                                  |
| Repeatability               | 0,08 % (3 g sample)<br>0,015 % (10 g sample)                                                      |
| Moisture Range              | 0,01 % to 100 % (0,01 % to 1000 % in regain mode)                                                 |
| Recommended MC%             | 0,5 % to 100 %                                                                                    |
| Minimum Start Weight        | 0,5 g                                                                                             |
| Capacity                    | 90 g                                                                                              |
| Heating Element             | Carbon Fiber                                                                                      |
| Temperature Range           | 40 – 200°C (1°C incremental)                                                                      |
| Drying Programs             | Standard, Fast, Ramp, Step                                                                        |
| Method Library              | 20                                                                                                |
| Result Storage              | 200                                                                                               |
| Switch-off Criteria         | 5 automatic, timed (1 – 480 mins), manual, free                                                   |
| ID Management               | Sample Name (Free Defined), Sample ID (Free Defined) and Batch ID (Free Defined)                  |
| Status Light                | Multi-color status light                                                                          |
| Operation Instruction       | Live drying curve<br>On-screen instruction                                                        |
| Display Type                | 4,3" capacitive touch screen                                                                      |
| Display Results             | MC%, DC%, RG%, time, temperature, weight, method name, drying curve and statistics                |
| Language                    | English, French, German, Italian, Spanish, Portuguese, Chinese, Korean, Japanese, Polish, Turkish |
| Adjustment                  | Temperature adjustment (100°C, 160°C)<br>External weight adjustment (50 g)                        |
| Output                      | RS232, USB host, USB device                                                                       |
| Power                       | 120 or 240 VAC 50/60 Hz                                                                           |
| Operating Temperature Range | 10 – 40°C                                                                                         |
| Pan Size                    | Ø 90 mm                                                                                           |
| Dimensions                  | 210×138×352 mm                                                                                    |
| Net Weight                  | 4,3 kg                                                                                            |
| Shipping Weight             | 6,1 kg                                                                                            |

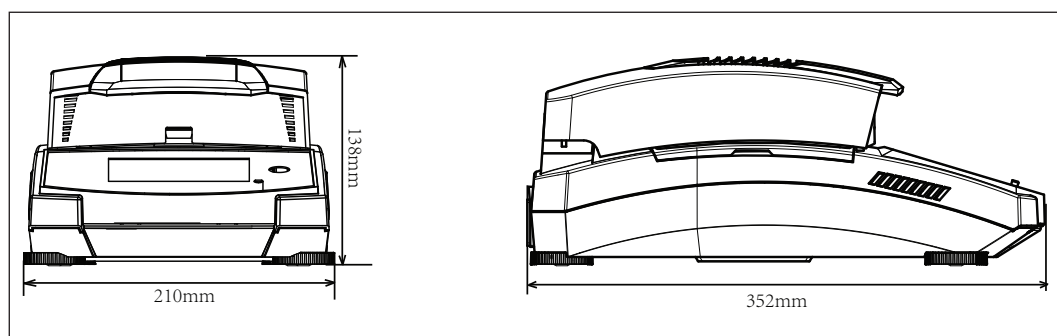
## Compliance

- **Product Safety:** IEC/EN 61010-1; IEC/EN 61010-2-010; CAN/CSA C22,2 61010-1; CAN/CSA C22,2 61010-2-010; UL 61010-1; UL 61010-2-010
- **Electromagnetic Compatibility:** IEC/EN 61326-1 Class B, Basic environments; FCC Part 15 Class A; Canada ICES-003 Class A
- **Compliance Marks:** CSA; CE; RCM; WEEE

## Accessories

|                                   |           |
|-----------------------------------|-----------|
| Pan Handler, MB32 MB62 MB92 ..... | .30954234 |
| In-Use Cover, MB92 .....          | .30954269 |
| Temperature Calibration Kit ..... | .11113857 |
| Scoop .....                       | .30284477 |
| Aluminum Pan (50) .....           | .30585411 |
| Glass Fiber Pads (200) .....      | .80850087 |
| Cage, Sample .....                | .80252477 |
| Reusable Pan, Set (3), 7mm .....  | .80252478 |
| Reusable Pan, Set (3), 14mm ..... | .80252479 |
| SF40A Impact Printer .....        | .30064202 |

## Outline Dimensions



80776951\_A 20240619 © Copyright OHAUS Corporation

**OHAUS Europe GmbH**

e-mail: [ssc@ohaus.com](mailto:ssc@ohaus.com)

Tel: 0041 22 567 53 19

e-mail: [tsc@ohaus.com](mailto:tsc@ohaus.com)

Tel: 0041 22 567 53 20

[www.ohaus.com](http://www.ohaus.com)

The management system governing the manufacture of this product is ISO 9001:2015 certified.

